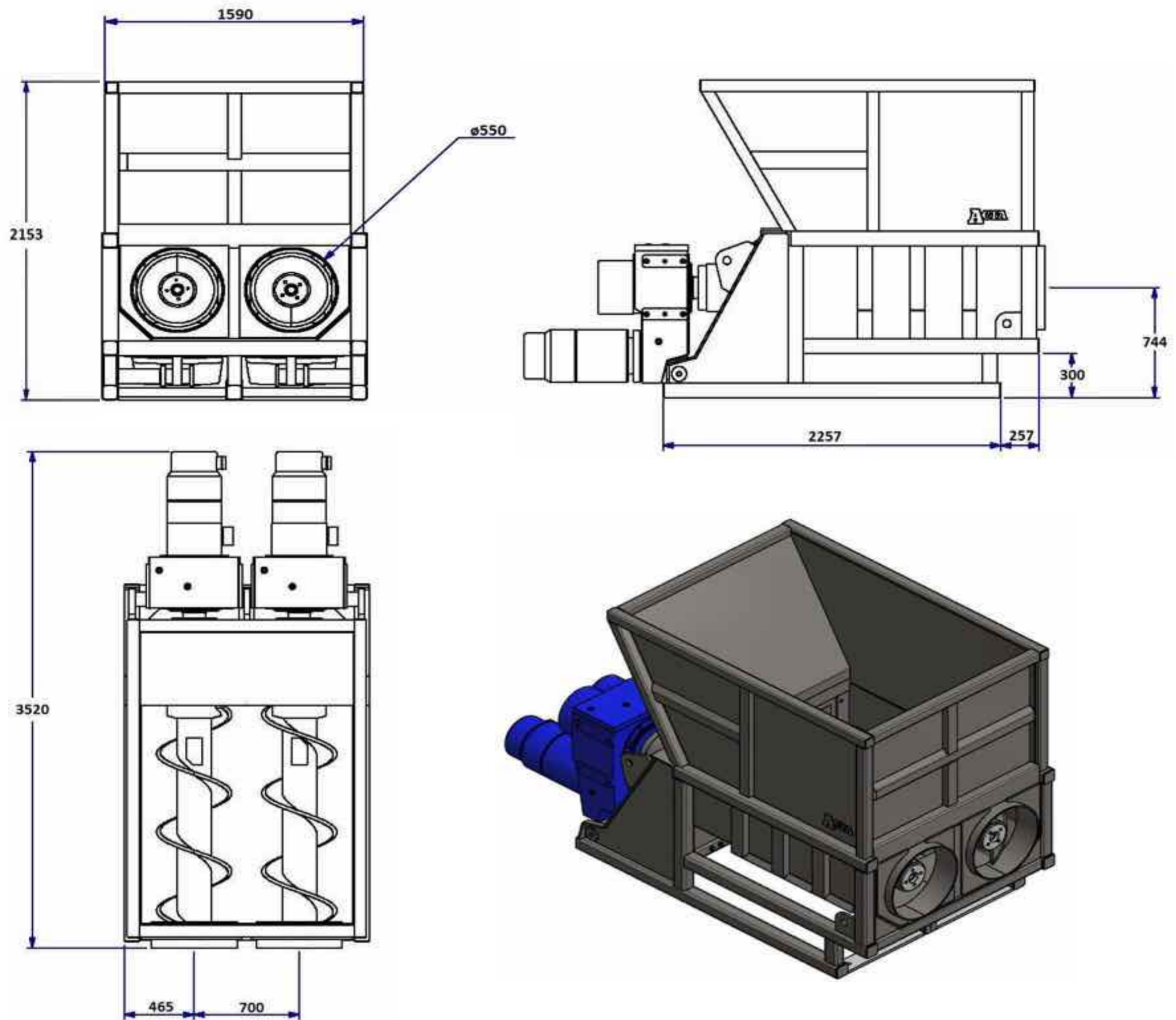


Acta Recycling Bale Opener type: AR-2



Acta Recycling Bale Opener AR-2	
Weight	6400 kg
Hopper inlet dim.	1400x2000 mm.
Hopper volume	3,5 m3
Outlet Capacity	0,5-2,5 ton/hour
All outlet capacities are approximated and depends on working conditions and type of material to be processed. Please contact Acta Recycling for more exact information.	
Screw Speed	15 Rpm / 7,5 to 22,5 Rpm
Motor Power	2 x 22 kW
Electrical Conn.	3x400 V - 50 Hz
Prefuse (App.)	120 Amp

All rights reserved by Acta Recycling. Copying of elements from sheet only with written permission by Acta Recycling.
Distribution of sheet only in complete form including Acta Recycling company data.